

Silver Wings
Wojciech Kułakowski

30-680 Kraków
ul.Serbska 2/15
Poland
www.silverwings.pl
silverwings@silverwings.pl



High quality resin model kit

FIAT CR 32 / 32bis

Kat.No 32-005



FIAT CR 32

FIAT CR 32 was an Italian biplane fighter used in the Spanish Civil War and World War II. The CR 32 fought in North and East Africa, in Albania and in the Mediterranean theatre. Used extensively in Spanish Civil War, it gained a reputation as one of the outstanding fighter biplanes of all time. But then it was overtaken by more advanced monoplane designs and was obsolete by 1939.

FIAT CR 32 was designed by *Celestino Rosatelli*. The prototype MM.201 first flew the *28 April 1933* from the *Fiat* company airfield at Turin.

Over 1300 FIAT CR 32 was built in following variants : CR 32 - armed with twin 7.7 mm or 12.7 mm machine guns and powered by 447 kW (600 hp) Fiat A.30 RAbis engine. Delivered to the *Regia Aeronautica* between March 1934 and February 1936, CR 32bis -close-support fighter version armed with twin Breda-SAFAT Mod.1928Av. 7.7 mm (a common field modification was to discard the 7.7 mm armament to reduce weight) and twin 12.7 mm machine guns. Bomb racks with ability to carry 100 kg bombload possible: 1 ×100 kg or 2 × 50 kg, CR 32 ter - revised CR 32bis with many improved features, **CR 32quater** - revised CR 32ter with reduced weight, added radio and max speed 356 km/h at 3,000 m; 337 built for the *Regia Aeronautic*.

FIAT CR 32 was also used in: Austria, China, Chile, Germany, Hungary, Paraguay, Spain, Venezuela.

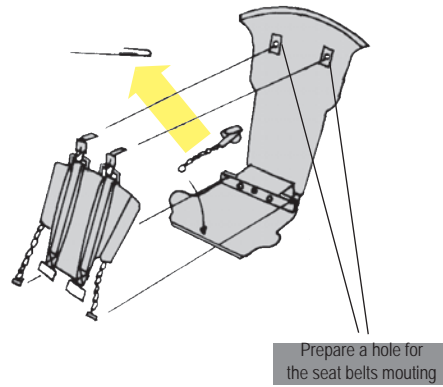
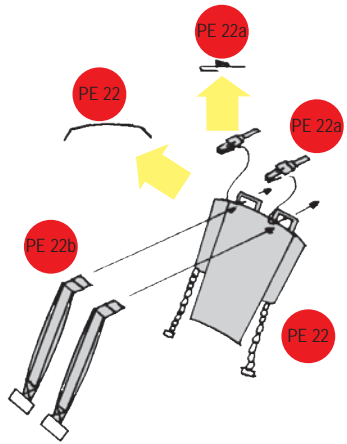
TECHNICAL DATA

Length - 7,47 m , **Wingspan** - 9,50 m, Height - 2,36 m, **Wing area** - 22,1 m², **Empty weight** - 1455 kg, **Loaded weight** - 1975 kg

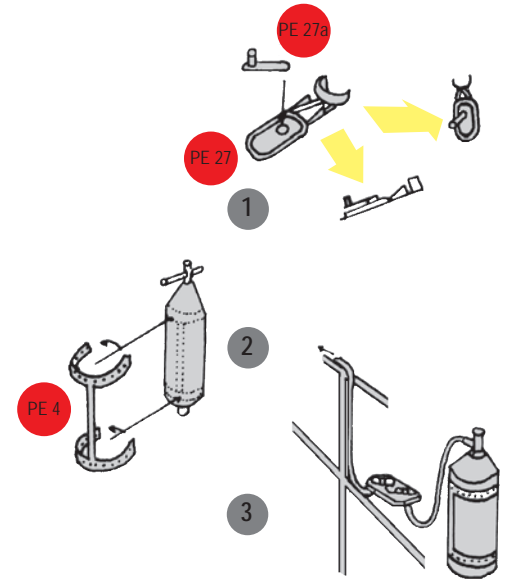
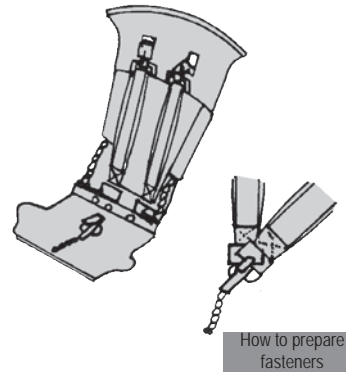
Power plant - Fiat A30 RA-bis V12, 447 kW (600 hp)

Max speed - 360 km/h , **Range** - 781 km , **Service ceiling** - 8800 m,

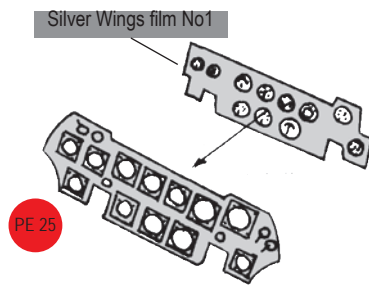
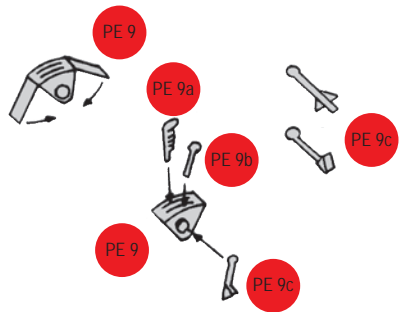
Armament -machine guns - 2x 7,7 mm Breda SAFAT, bombs up to 100kg.



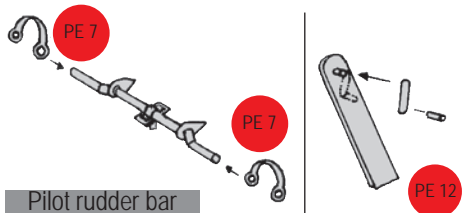
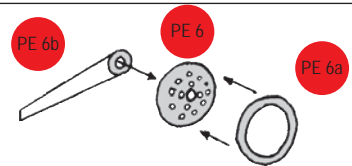
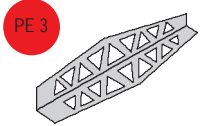
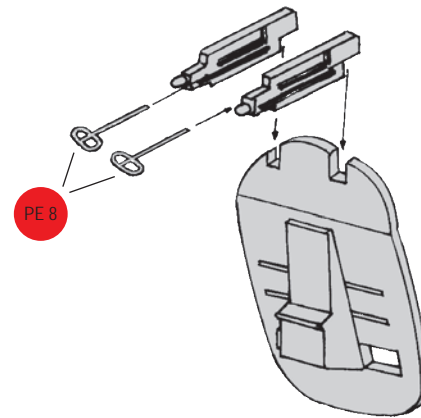
Pilot seat - silver



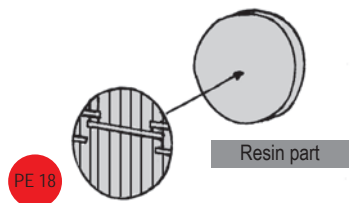
Starter motor instalation



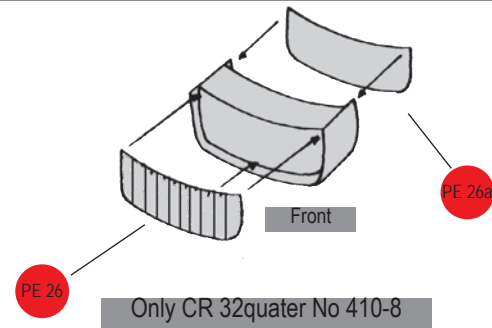
Instrument panel - black



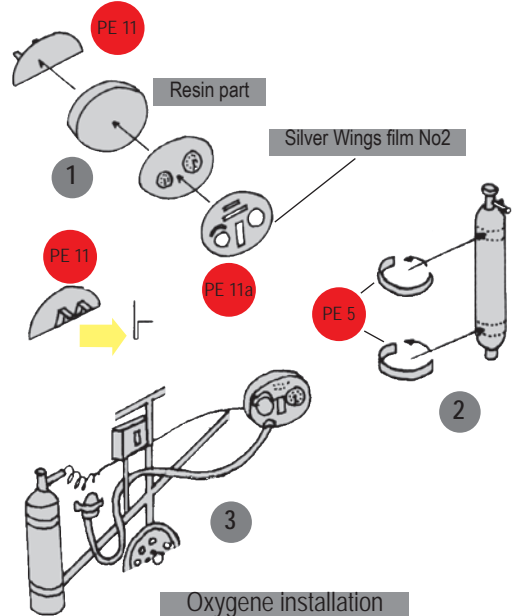
Pilot rudder bar



Resin part

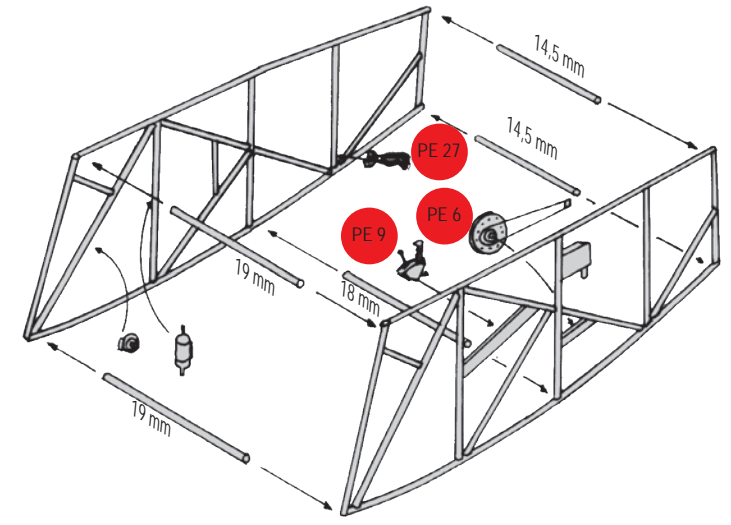
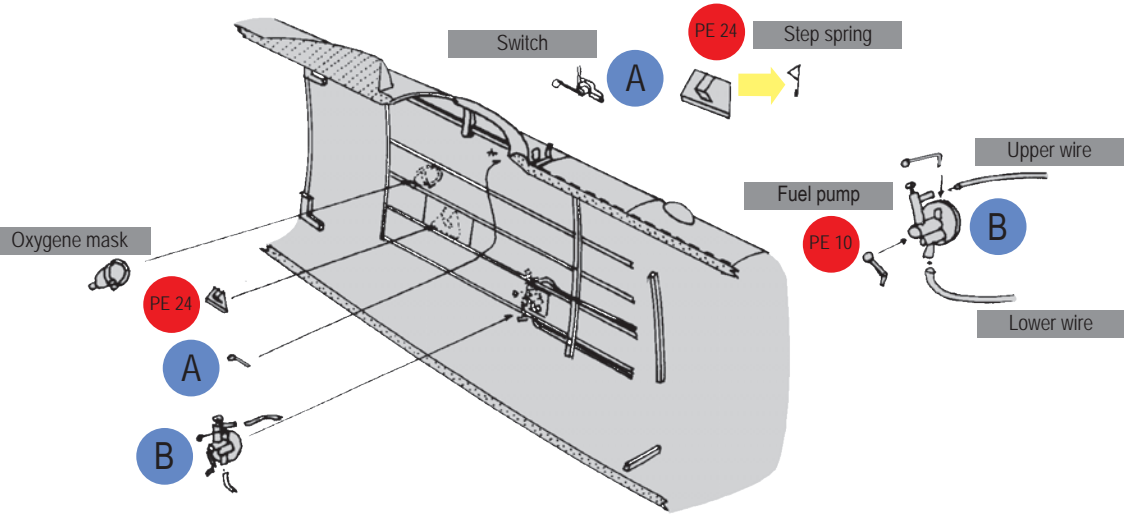


Only CR 32quater No 410-8

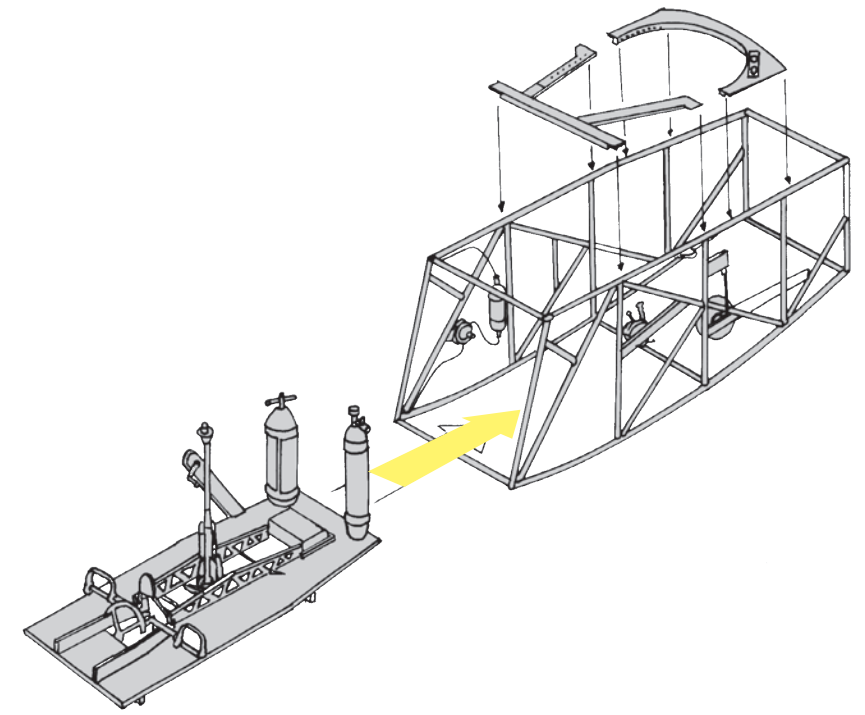
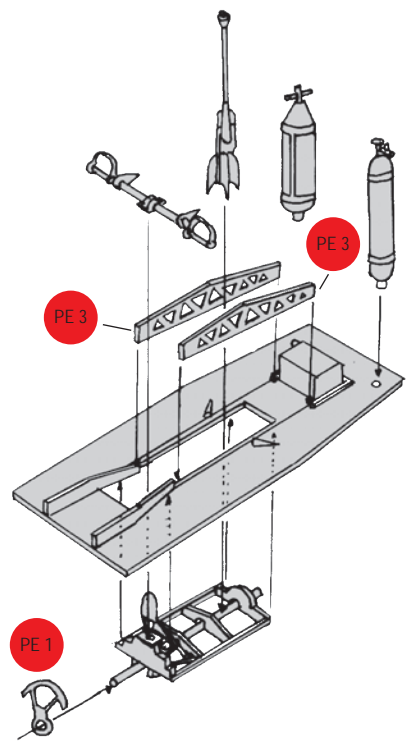
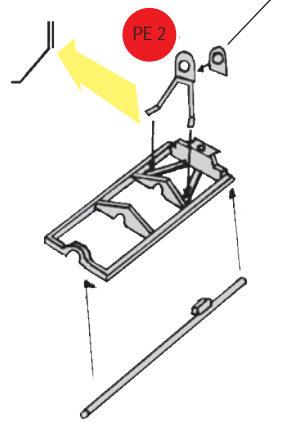


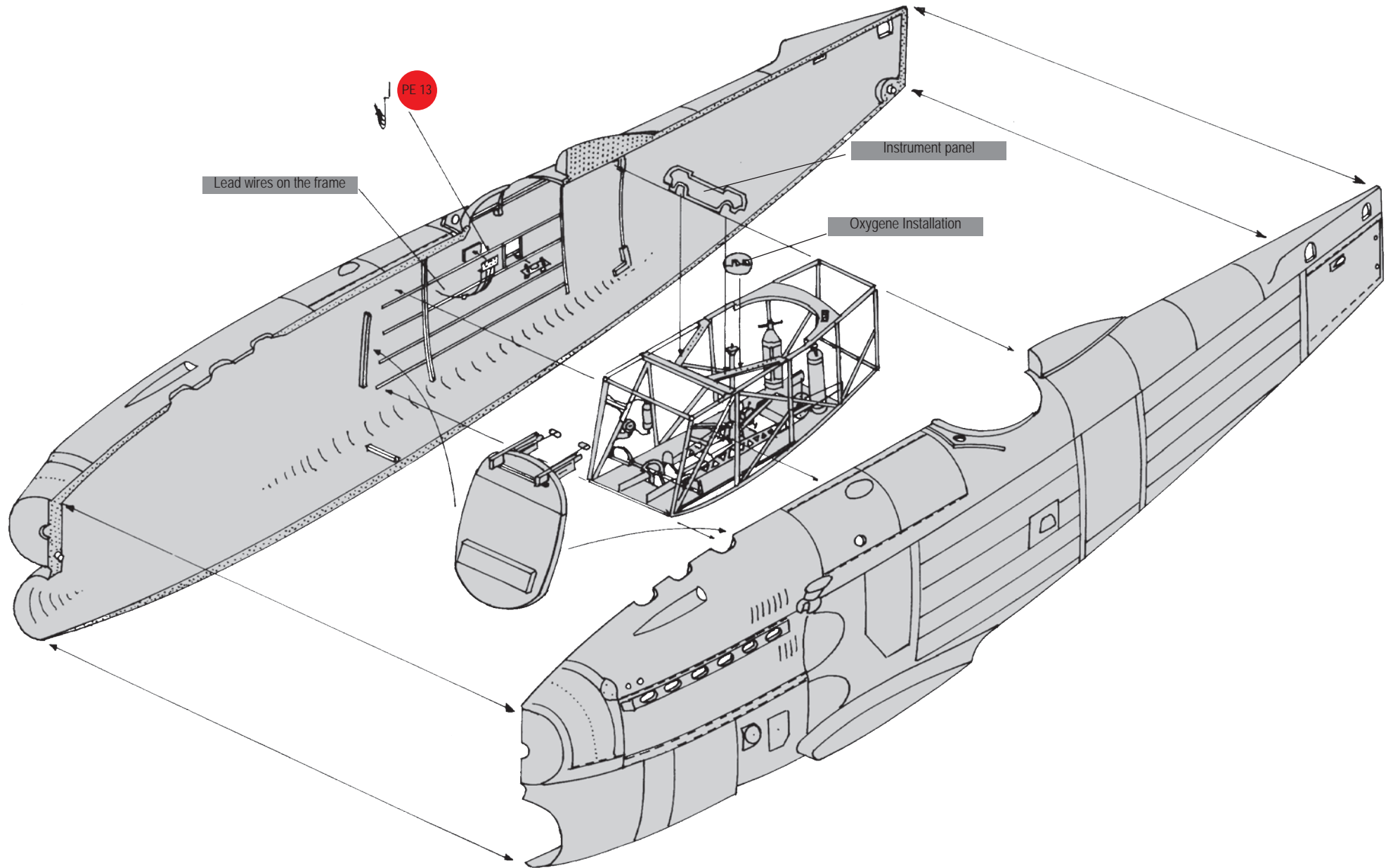
Oxygen installation

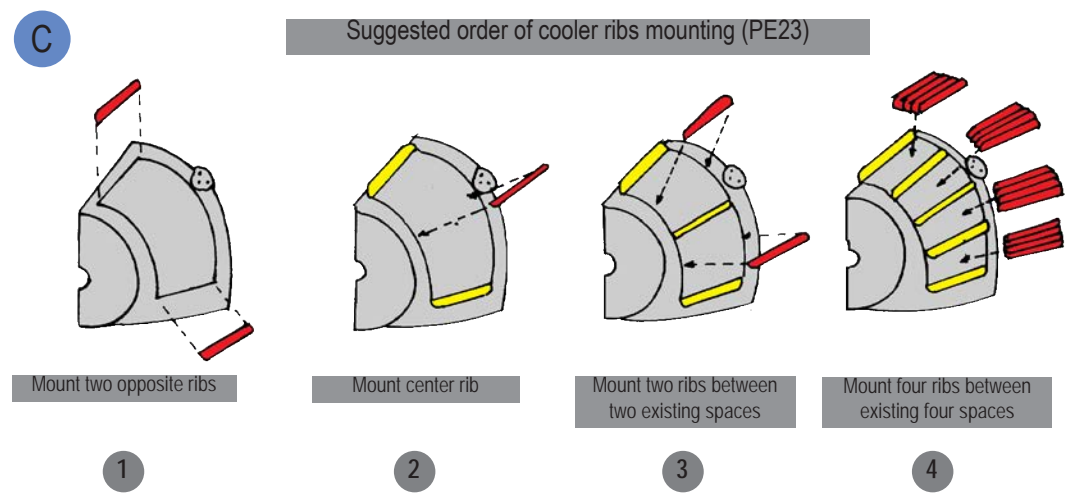
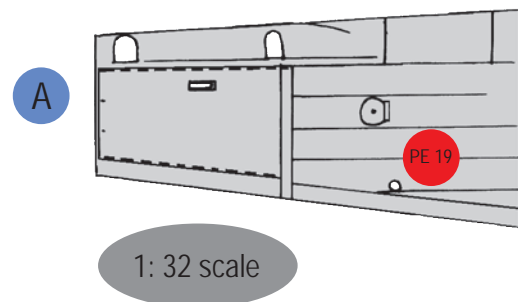
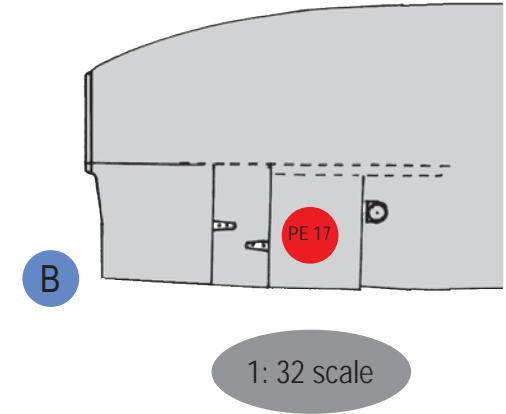
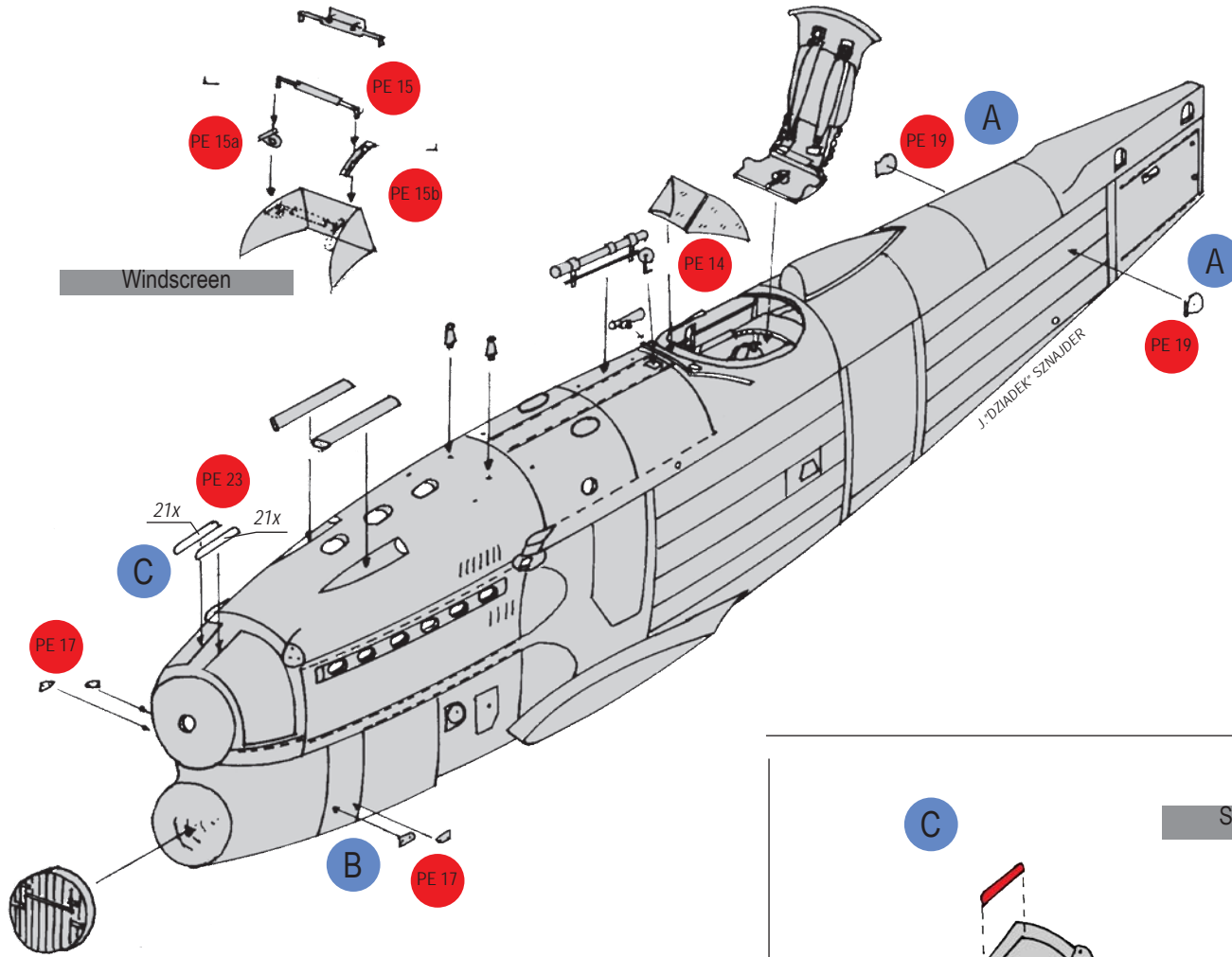
Port side

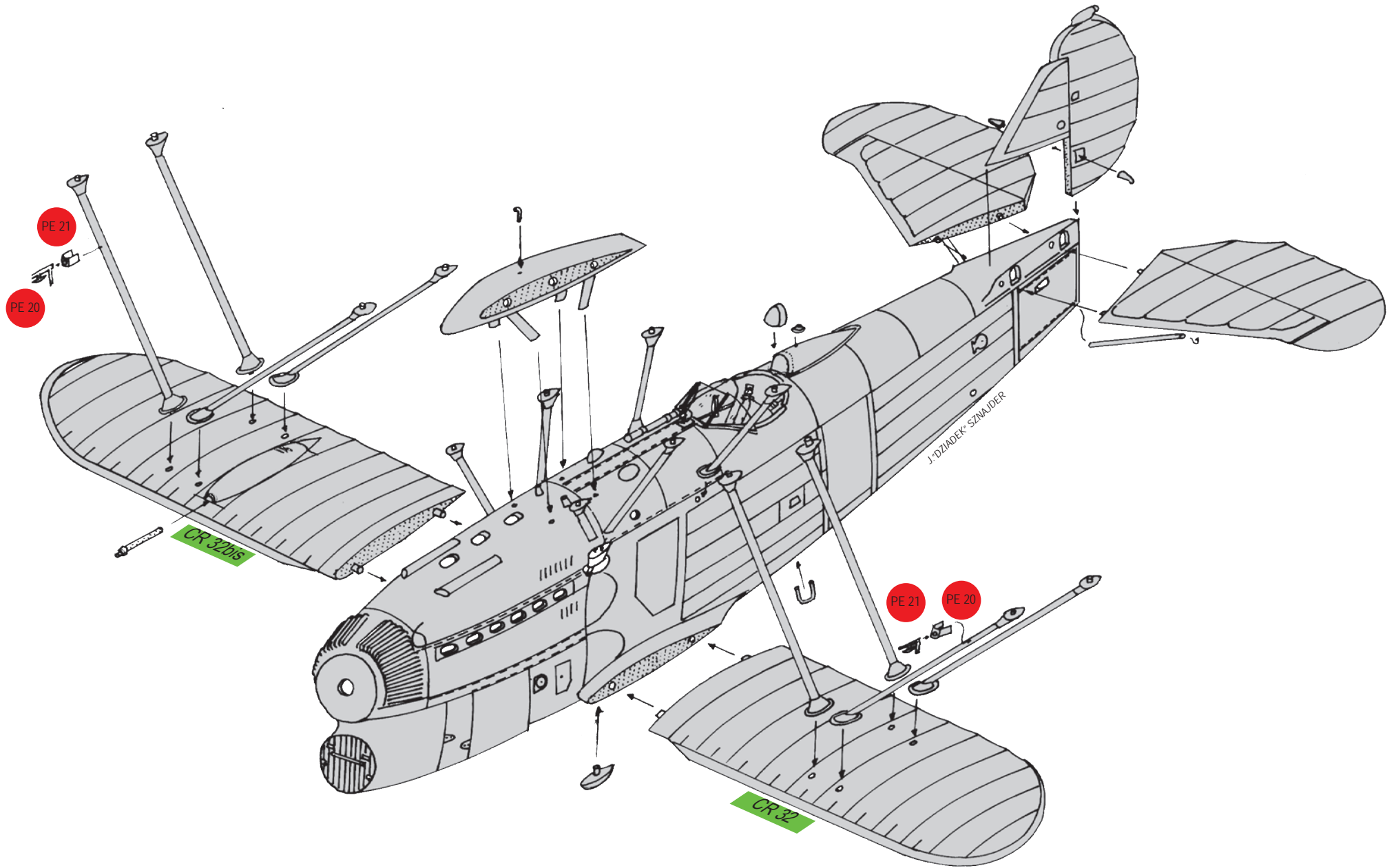


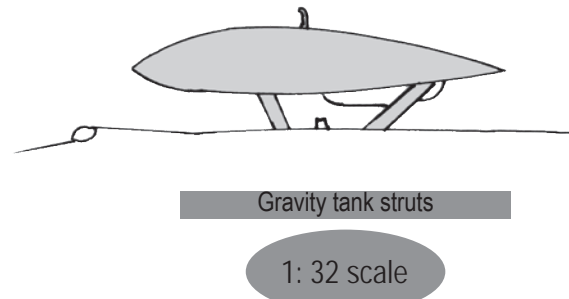
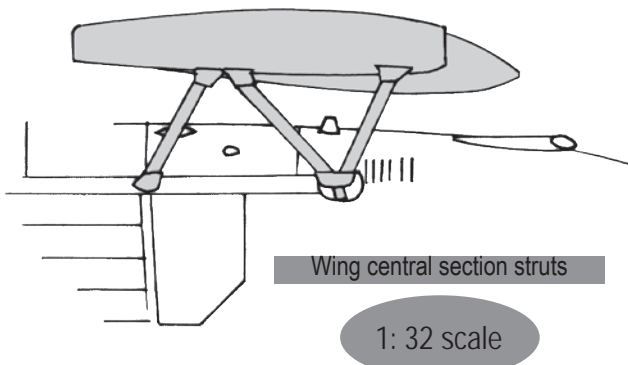
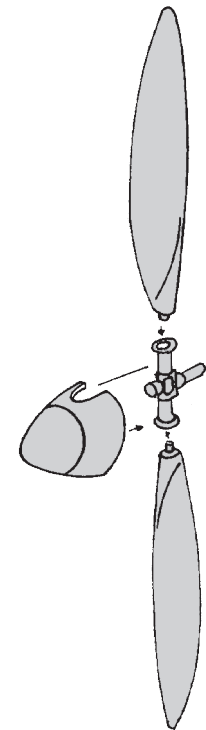
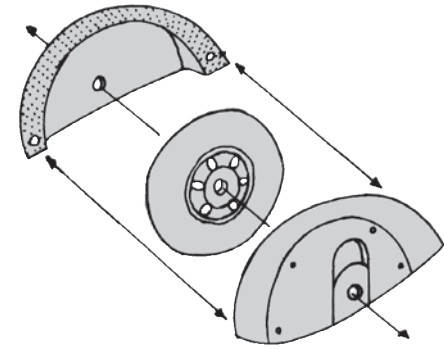
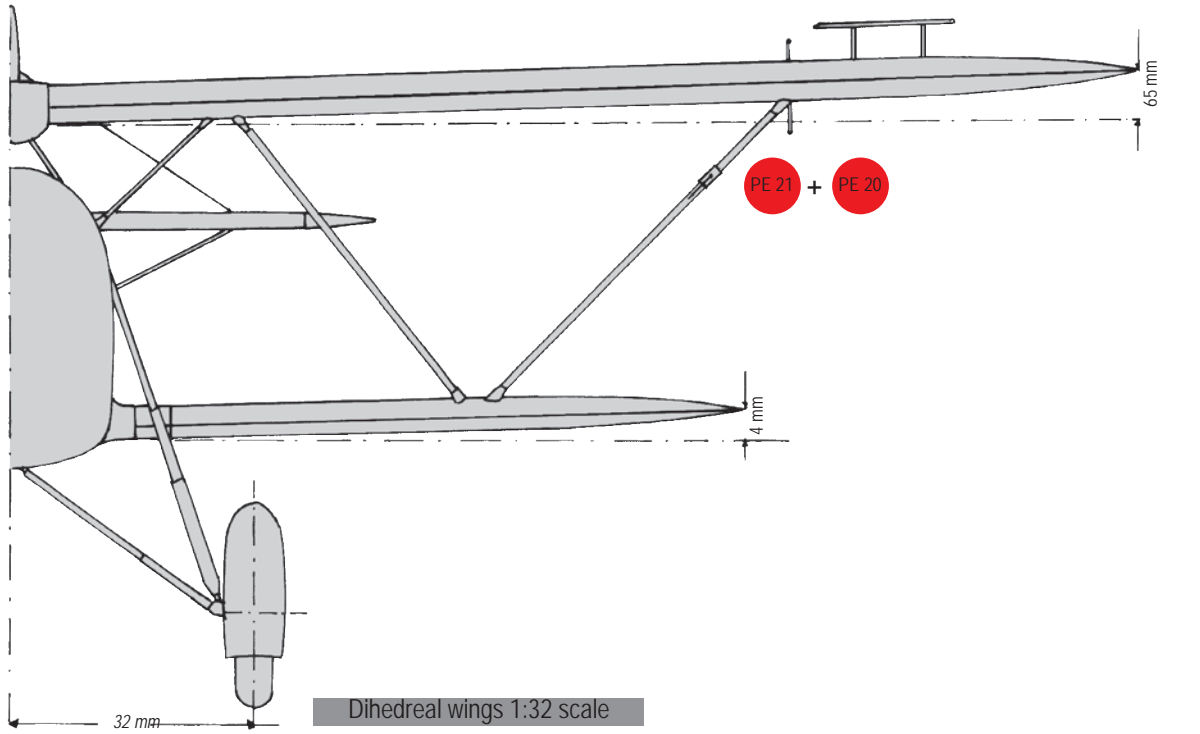
Silver Wings film No3





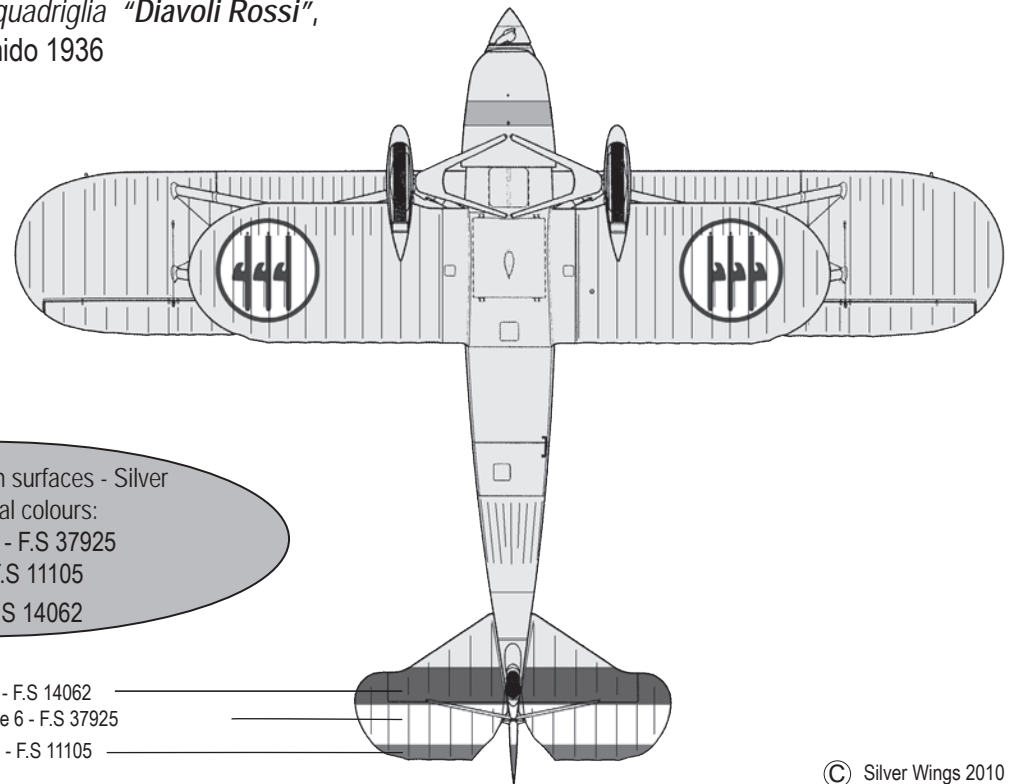
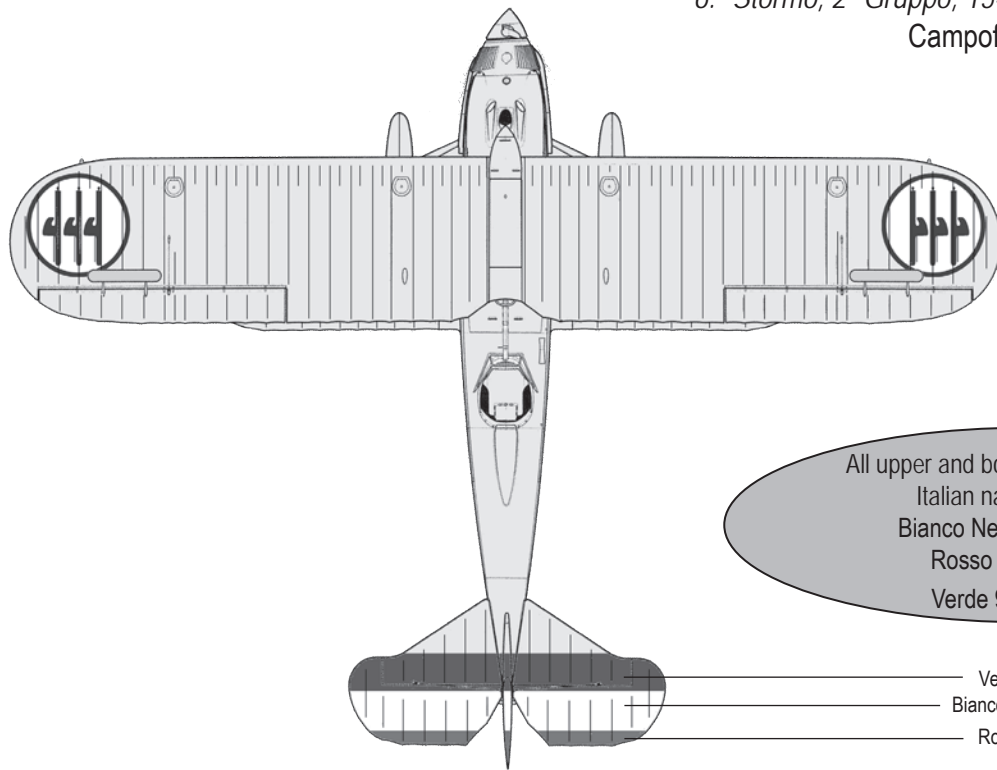








FIAT CR 32 No 154-4:
6.º Stormo, 2º Gruppo, 154 Squadriglia "Diavoli Rossi",
Campoformido 1936

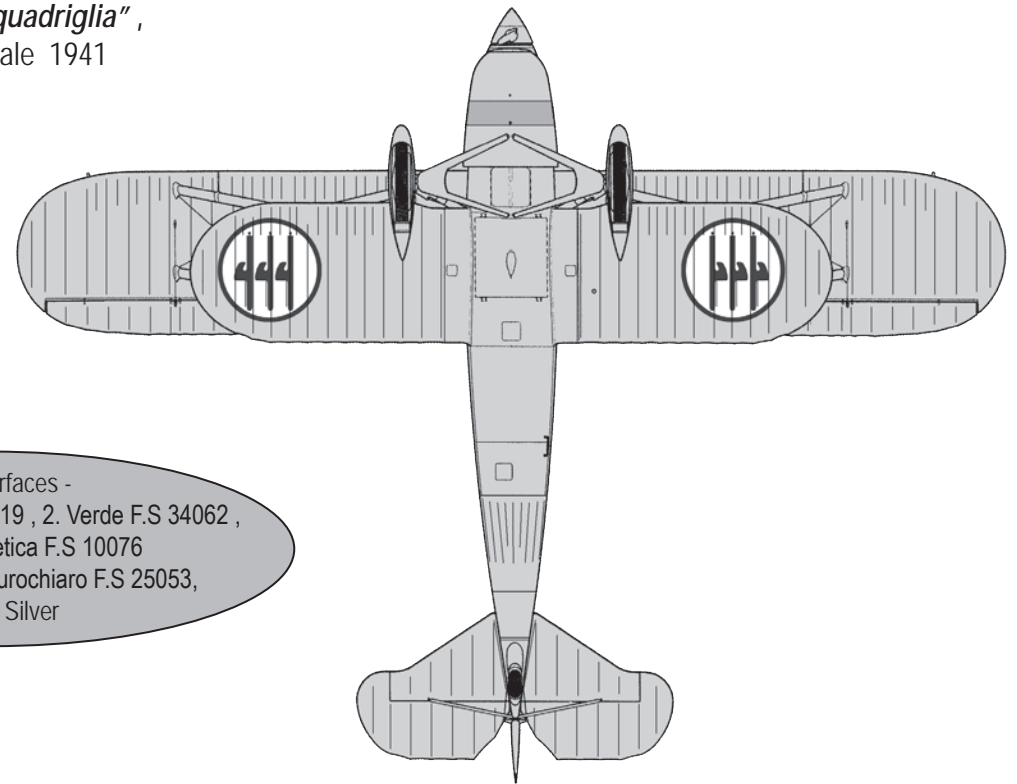
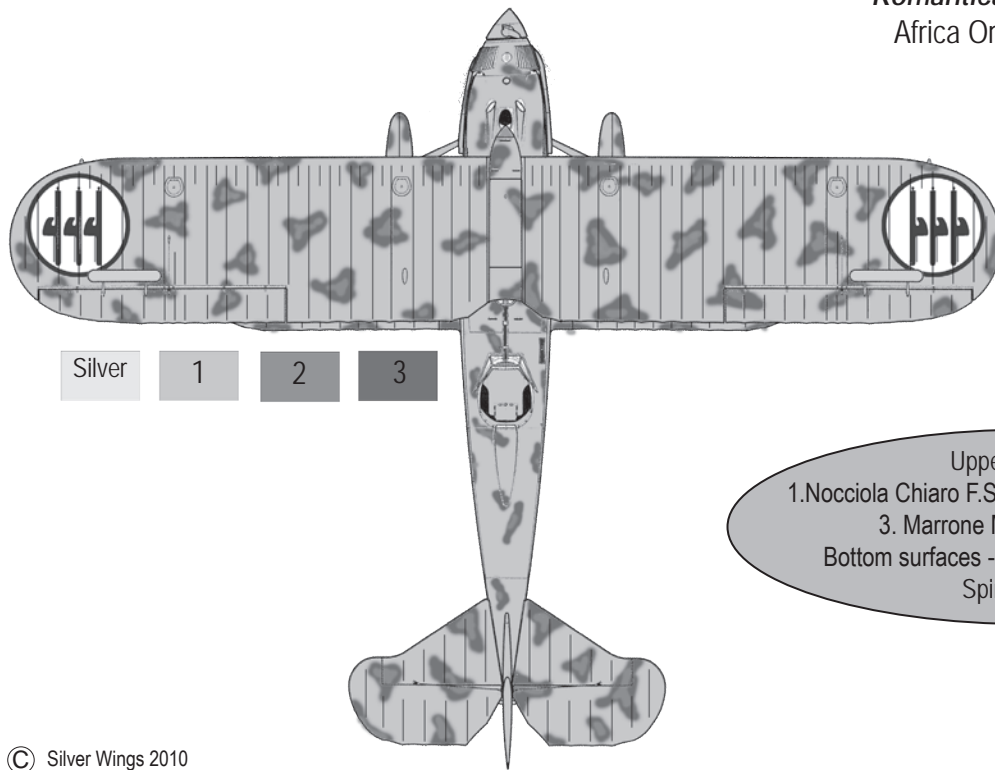


All upper and bottom surfaces - Silver
Italian national colours:
Bianco Neve 6 - F.S 37925
Rosso 8 - F.S 11105
Verde 9 - F.S 14062

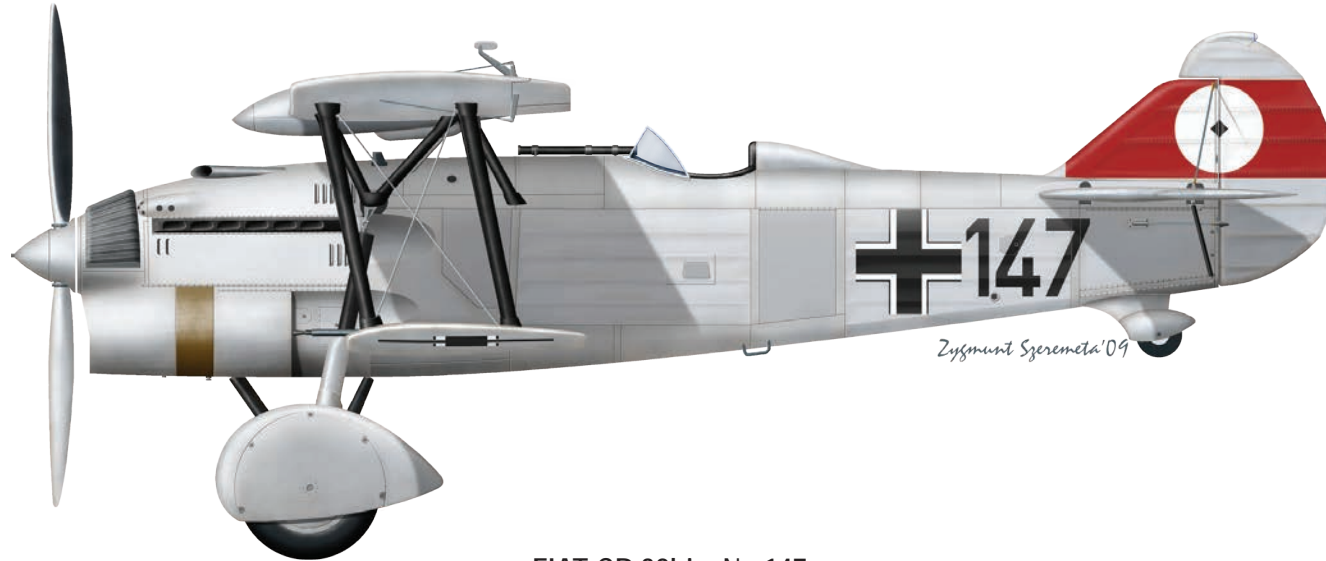
Verde 9 - F.S 14062
Bianco Neve 6 - F.S 37925
Rosso 8 - F.S 11105



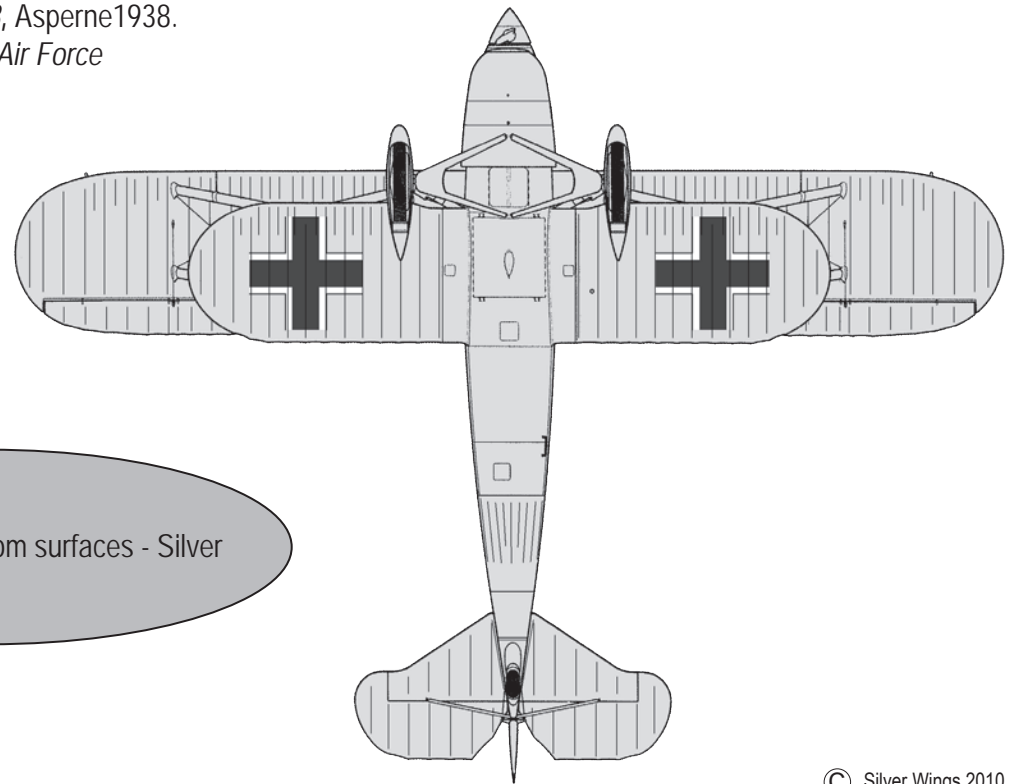
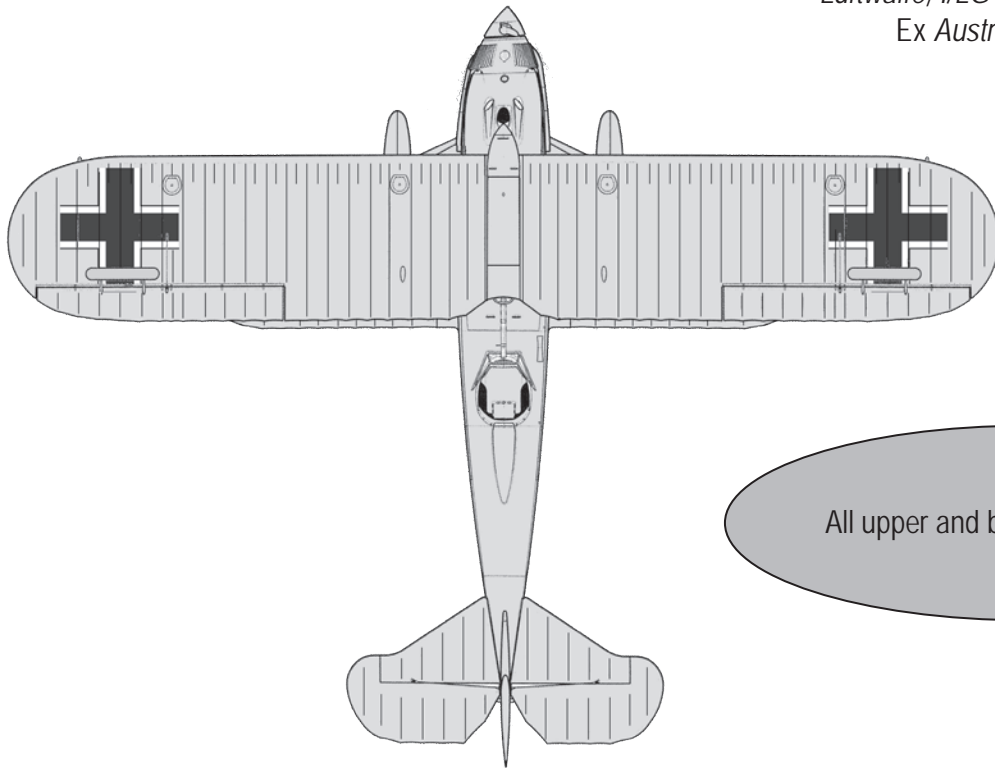
FIAT CR 32quater No 410-8:
"Romantica Squadriglia",
Africa Orientale 1941



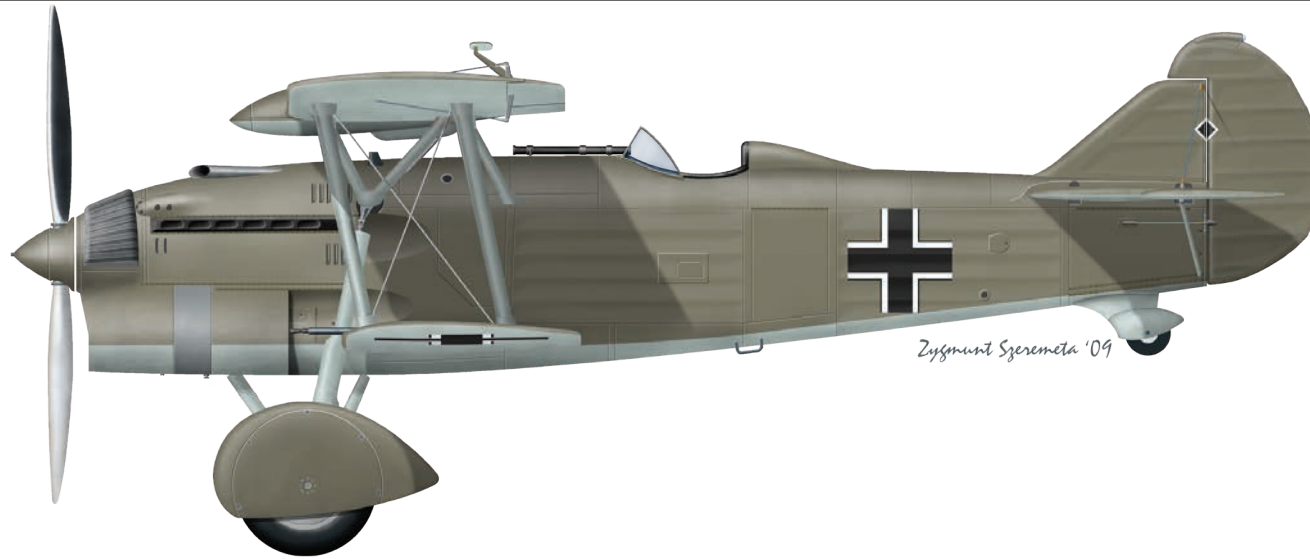
Upper surfaces -
1. Nocciola Chiaro F.S 30219 , 2. Verde F.S 34062 ,
3. Marrone Mimetica F.S 10076
Bottom surfaces - Azzurochiaro F.S 25053,
Spiner - Silver



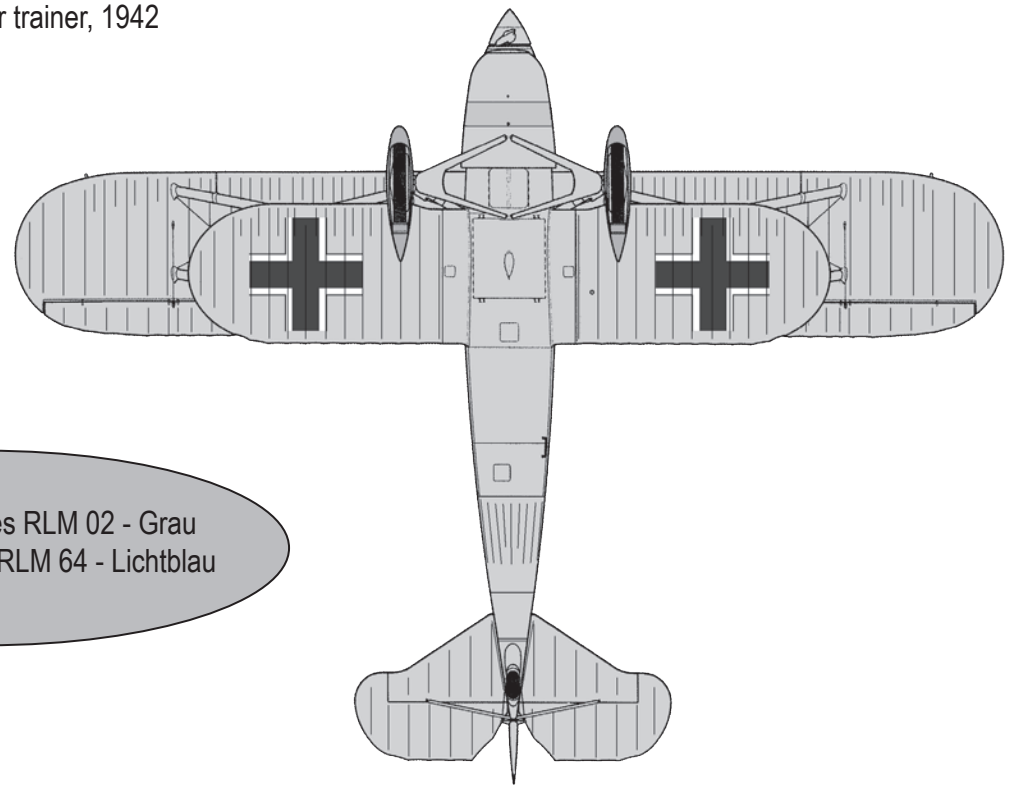
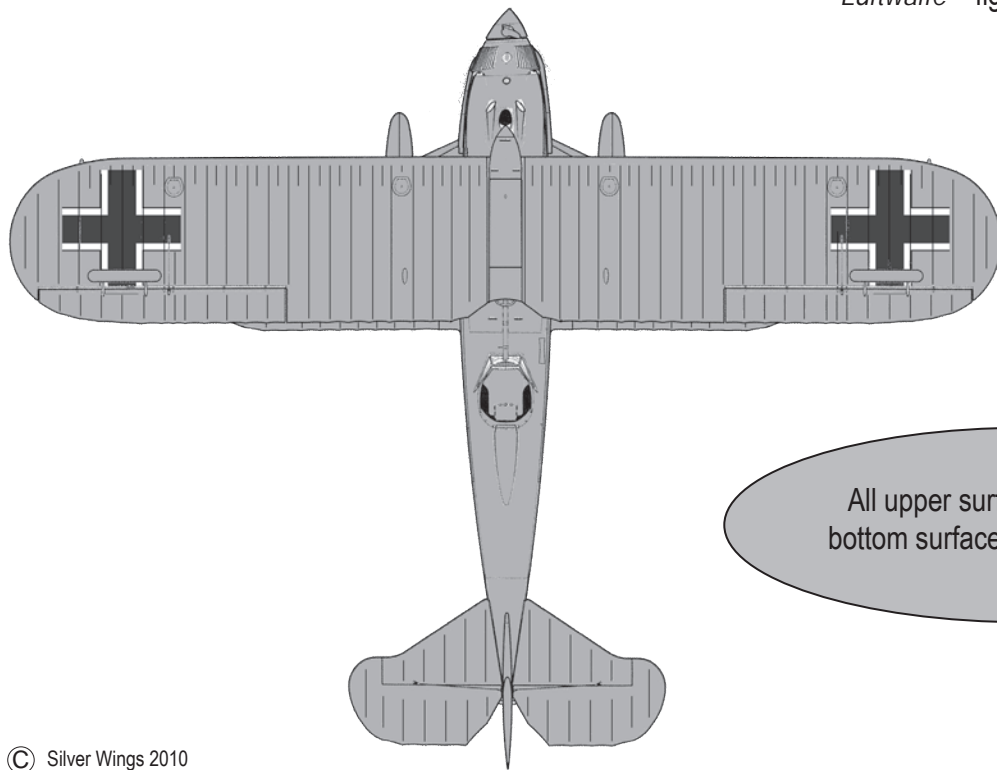
FIAT CR 32bis No 147 :
Luftwaffe, I/LG 138, Asperne 1938.
Ex Austrian Air Force



All upper and bottom surfaces - Silver



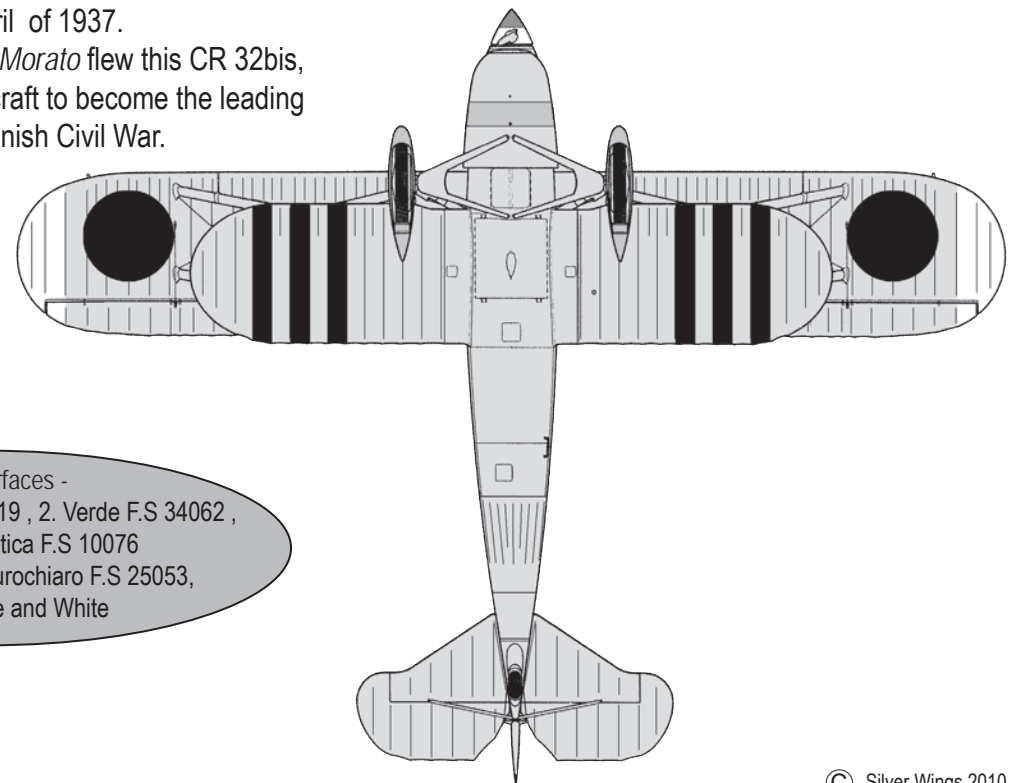
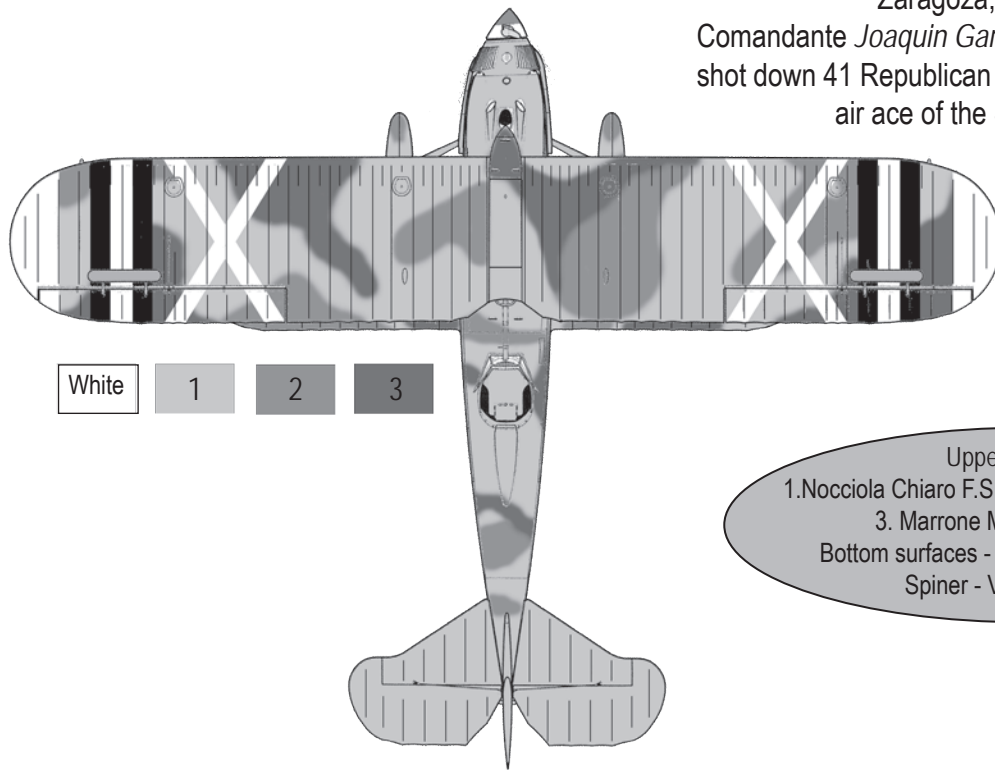
FIAT CR 32bis
Luftwaffe - fighter trainer, 1942



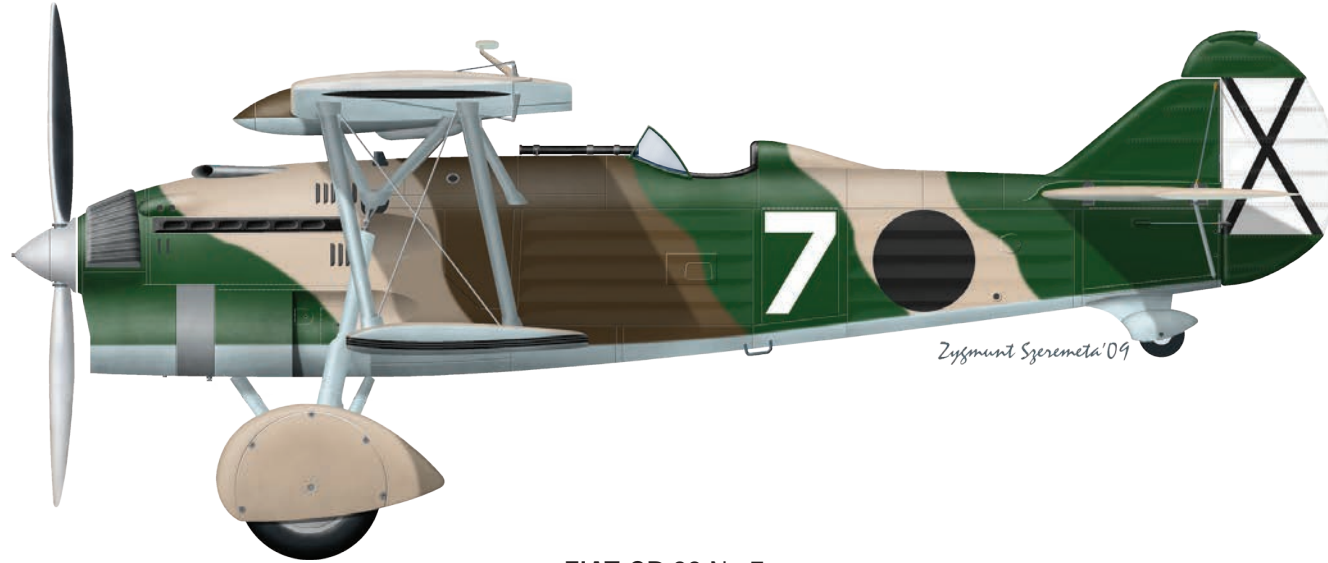
All upper surfaces RLM 02 - Grau
bottom surfaces - RLM 64 - Lichtblau



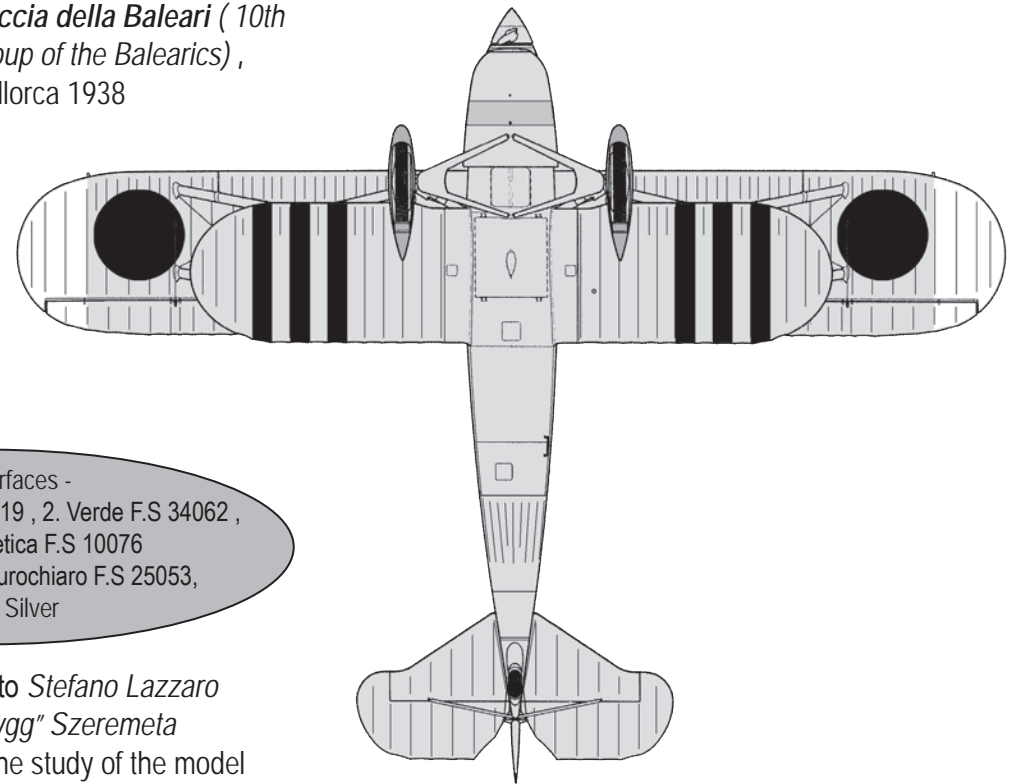
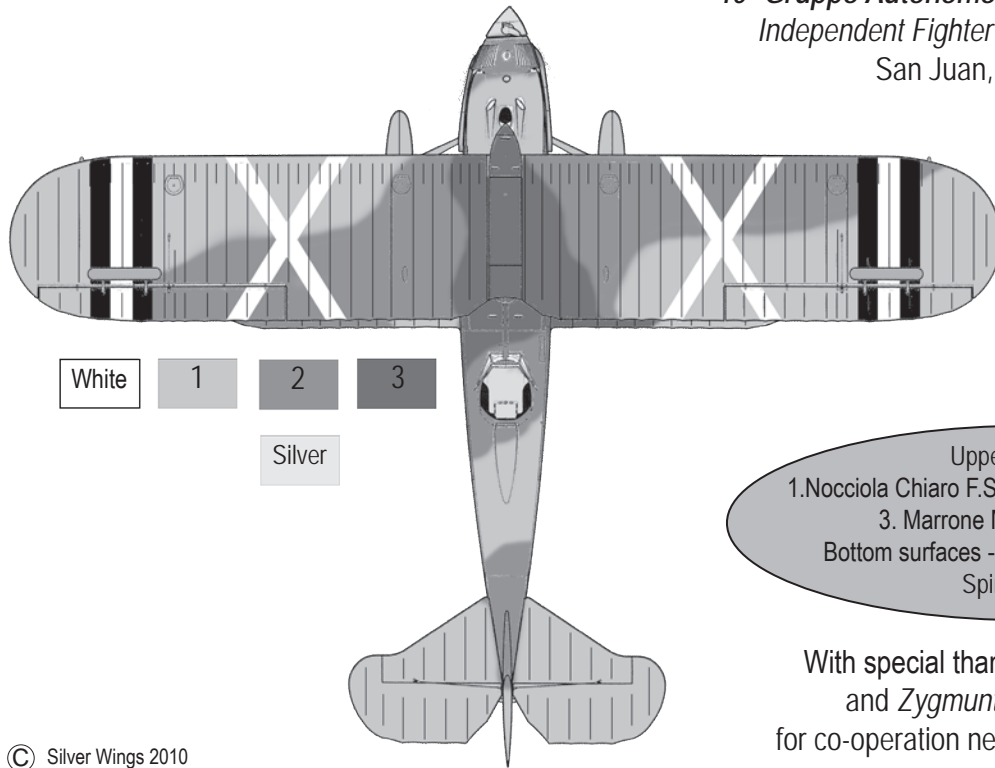
FIAT CR 32 bis No 3-51:
"La Partulla Sazul" (The Blue Patrol), 2-G-2 ,
Zaragoza, April of 1937.
Comandante *Joaquin Garcia Morato* flew this CR 32bis,
shot down 41 Republican aircraft to become the leading
air ace of the Spanish Civil War.



Upper surfaces -
1.Nocciola Chiaro F.S 30219 , 2. Verde F.S 34062 ,
3. Marrone Mimetica F.S 10076
Bottom surfaces - Azzurochiaro F.S 25053,
Spiner - Verde and White



FIAT CR 32 No 7:
10° Gruppo Autonomo Caccia della Baleari (10th
Independent Fighter Group of the Balearics) ,
San Juan, Mallorca 1938



Upper surfaces -
1. Nocciola Chiaro F.S 30219 , 2. Verde F.S 34062 ,
3. Marrone Mimetica F.S 10076
Bottom surfaces - Azzurochiaro F.S 25053,
Spiner - Silver

With special thanks to *Stefano Lazzaro*
and *Zygmunt "Zygg" Szeremeta*
for co-operation near the study of the model